

EBPC-3500L-61SE / EBPC-3500L-75SE

Ultra-compact Intel® Atom
N270/AMD LX800 Embedded
System

NEW



EBPC-3500L-61SE

EBPC-3500L-75SE

Features

- **Low power Intel Atom N270 / AMD LX800 platform**
 - Supports DDR2 533 / DDR 400 SDRAM up to 1 GB / 512 MB
 - Dual displays supported with CRT and LVDS interface
- **Compact, modularized and expandability**
 - Easy installation of HDD and DRAM
 - One PCI-104 or PC/104 card expansion
 - Supports one 2.5" HDD bay with anti-vibration design

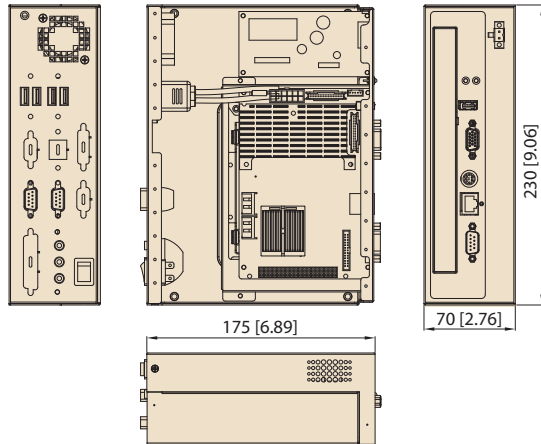


Specifications

Model		EBPC-3500L-61SE	EBPC-3500L-75SE
Form Factor		Embedded / Desktop / Wallmount	Embedded / Desktop / Wallmount
Processor System	Chipset	Intel 945GSE	AMD Geode LX800
	CPU	Intel Atom processor N270 up to 1.60 GHz	AMD Geode LX800 processor up to 500 MHz
	L2 Cache	512 KB	128 KB
	Front Side Bus	533 MHz	-
	Memory	DDR2 400/533 MHz 200-pin SODIMM up to 2 GB	DDR 333/400 MHz 200-pin SODIMM up to 512 MB
Graphics	Controller	Intel 945GSE integrated	AMD Geode LX800 integrated
	VRAM	Dynamically shared system memory up to 224 MB	Dynamically shared system memory up to 64 MB
Expansion Slot	PCI-104	1	-
	PC/104	-	1
Storage	HDD (supported)	SATA	IDE
Drive Bay	2.5" (front-accessible)	1	1
	CompactFlash (supported)	Card Type I/II	Card Type I
Ethernet	Interface	10/100/1000 Mbps	10/100 Mbps
	Controller	Realtek 8110SC	Realtek 8100CL
Front I/O Interface	USB	1	-
	PS/2	1	1 (Mini DIN)
	COM	1	1
	VGA	1	1
	RJ-45	1	1
Rear I/O Interface	USB	4	2
	COM	2	1
	LVDS	1 (36-bit) with optional cable kit	-
	Parallel	-	1
	RJ-45	-	1
	Audio	3 (HD, Mic-in, Line-in, Line-out)	3 (Mic-in, Line-in, Line-out)
	GPIO	8-bit general purpose input/output	8-bit general purpose input/output
Reserved Cutouts	1 x RJ-45, 1 x Parallel, 2 x COM	1 x DVI, 2 x USB, 2 x COM	
Operating System		Microsoft Windows XP Embedded	Microsoft Windows XP Embedded
Watchdog Timer	Output	System reset	System reset
	Interval	Programmable 1 ~ 255 seconds	Programmable 1 ~ 255 seconds
Power Supply	Power Output Wattage	46 W	46 W
	Power Input Connector	4-pole Phoenix DC power connector	4-pole Phoenix DC power connector
	Input Voltage	12 V _{DC} @ 4.5 A; 16 V _{DC} @ 3.4 A; 19 V _{DC} @ 2.9 A; 24 V _{DC} @ 2.3 A	12 V _{DC} @ 4.5 A; 16 V _{DC} @ 3.4 A; 19 V _{DC} @ 2.9 A; 24 V _{DC} @ 2.3 A
	Output Voltage	+5 V _{DC} @ 7 A; +12 V _{DC} @ 0.5 A; +5 Vsb @ 1 A	+5 V _{DC} @ 7 A; +12 V _{DC} @ 0.5 A; +5 Vsb @ 1 A
Cooling	Chassis Fan	1 (4 cm / 11.4 CFM)	1 (4 cm / 11.4 CFM)
	Air Filter	Yes	Yes
Miscellaneous	LED Indicators	Power status and HDD activity	Power status, HDD activity and LAN connectivity
Environment	Operating Temperature	0 ~ 40° C (32 ~ 104° F)	Non-Operating
	Humidity	10 ~ 85% @ 40° C non-condensing	-20 ~ 60° C (-4 ~ 140° F)
	Dimensions (W x H x D)	230 x 70 x 175 mm (9.1" x 2.8" x 6.9")	10 ~ 95% @ 40° C non-condensing
Physical Characteristics	Weight	1.6 kg (3.52 lb)	230 x 70 x 175 mm (9.1" x 2.8" x 6.9")
			1.6 kg (3.5 lb)

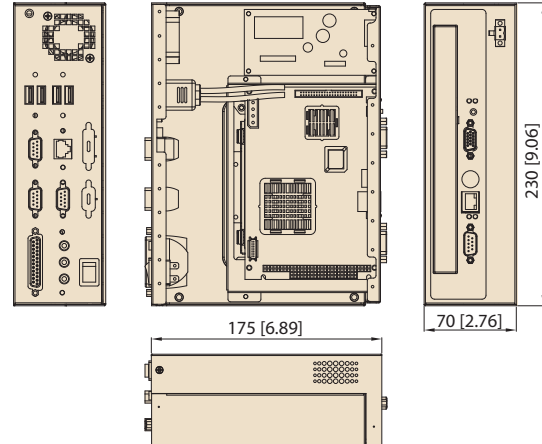
Dimensions

EBPC-3500L-61SE



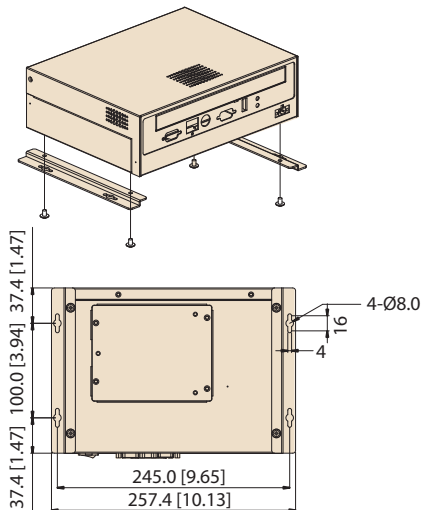
EBPC-3500L-75SE

Unit: mm (inch)



Installation

Unit: mm (inch)



Accessories

External AC-to-DC Adapter and Power Cord

Part Number	Description
1757000222	AC-to-DC Adapter DC19 V/3.42 A 65 W, with Phoenix Power Plug, 0 ~ 45° C for Home and Office Use
1700001947	Power cord 2-pin 180 cm, USA type
1700001948	Power cord 2-pin 180 cm, Europe Type
1700001949	Power cord 2-pin 180 cm, UK Type

System Ordering Information

Part Number	CPU	USB	PS/2	COM	LVDS	VGA	LAN	Audio	GPIO
EBPC-3500L-61SE	Intel Atom N270 1.60 GHz	5	2	2	1	1	1	HD	8-bit
EBPC-3500L-75SE	AMD Geode LX800 500 MHz	2	2	4	0	1	2	AC97	8-bit

Inside View

EBPC-3500L-61SE



EBPC-3500L-75SE



Rear View

EBPC-3500L-61SE



EBPC-3500L-75SE



Bottom View



Bottom cover for accessing the 2.5" HDD, memory module, and CF module